



FDE125VSAWVH

12.5 (5.0 ~ 14.0)

Indoor Unit : FDE125VH

Outdoor Unit : FDC125VSA-W

Specifications

R32

Indoor unit			FDE125VH
Outdoor unit			FDC125VSA-W
Power source			3 Phase 380-415V, 50Hz / 380V, 60Hz
Nominal cooling capacity (Min~Max)		kW	12.5 (5.0 ~ 14.0)
Nominal heating capacity (Min~Max)		kW	14.0 (4.0 ~ 16.0)
Power consumption	Cooling/Heating	kW	4.45 / 3.74
EER/COP	Cooling/Heating		2.81 / 3.74
Inrush current		A	5
Max. running current		A	15
Sound power level* ¹	Indoor	Cooling/Heating	64 / 64
	Outdoor	Cooling/Heating	71 / 71
Sound pressure level* ¹	Indoor	Cooling (Hi/Me/Lo/Ulo)	48 / 45 / 40 / 35
		Heating (Hi/Me/Lo/Ulo)	48 / 45 / 40 / 35
	Outdoor	Cooling/Heating	54 / 57
Air flow	Indoor	Cooling (Hi/Me/Lo/Ulo)	32 / 29 / 23 / 17
		Heating (Hi/Me/Lo/Ulo)	32 / 29 / 23 / 17
	Outdoor	Cooling/Heating	75 / 73
Exterior Dimensions	Indoor	Height x Width x Depth	250 x 1,620 x 690
	Outdoor		845 x 970 x 370
Net weight	Indoor / Outdoor	kg	43 / 78
Refrigerant	Type/GWP		R32/675
Refrigerant piping size	Liquid/Gas	ø mm	9.52(3/8") / 15.88(5/8")
Refrigerant line (one way) length		m	Max.50
Vertical height differences	Outdoor is higher/lower	m	Max.50 / Max.15
Outdoor operating temperature range	Cooling* ²	°C	-15~50
	Heating		-20~20
Air filter quantity			Pocket Plastic net x2(Washable)
Remote control (option)			wired:RC-EX3A, RC-E5, RCH-E3 wireless:RCN-E-E3
SEER			6.03
SCOP (Average climate)			4.30

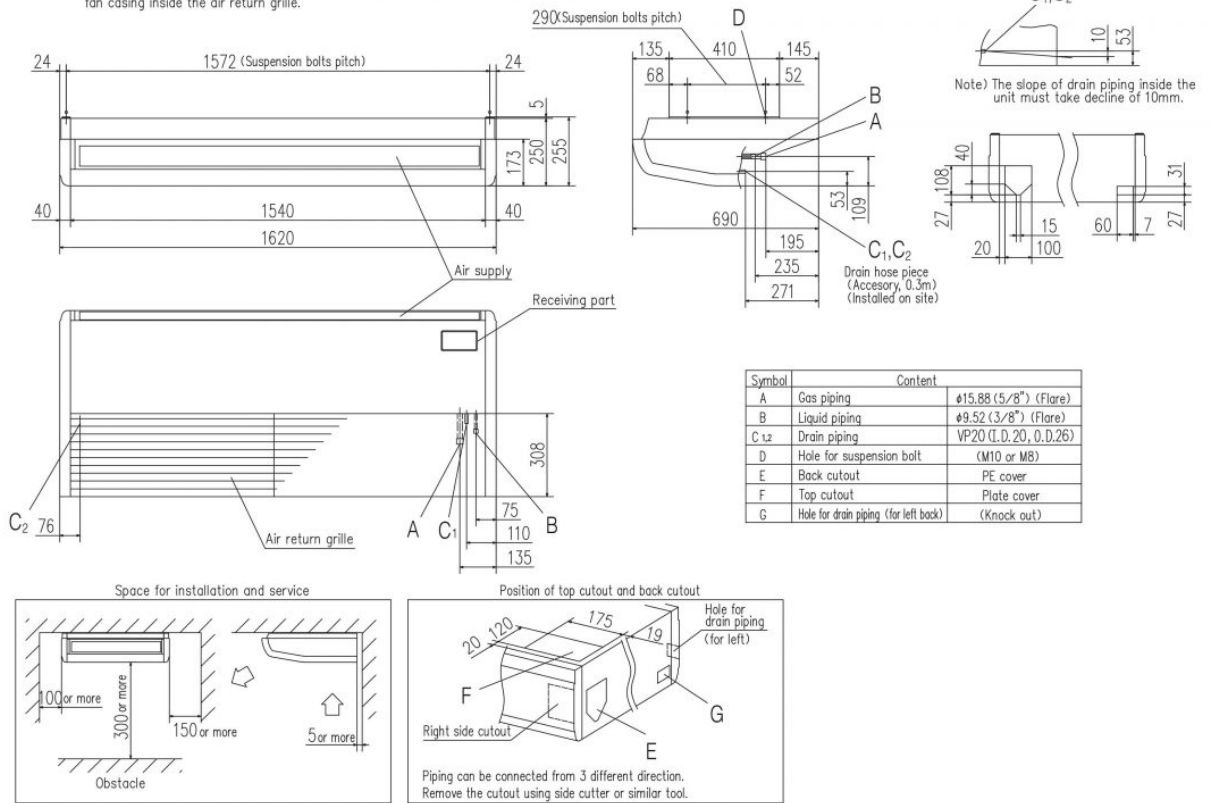
The data is measured under the following conditions (ISO-T1).

Cooling: Indoor temp. of 27°CDB, 19°CWB, and outdoor temp. of 35°CDB. Heating: Indoor temp. of 20°CDB, and outdoor temp. of 7°CDB, 6°CWB.

- : Indicates the value in an anechoic chamber. During operation these values are somewhat higher due to ambient conditions.
- : If a cooling operation is conducted when the outdoor air temperature is -5°C or lower, the outdoor unit should be installed at a place where it is not influenced by natural wind. If wind blows, the low pressure will drop and compressor frequency will increase, this will cause the capacity to drop and may cause the unit to break down.
- : The values are for one indoor unit operation. (Multi system only)

Schematics

Note (1) The model name label is attached on the fan casing inside the air return grille.



FDC100VNA, 125VNA, 140VNA, 100VSA, 125VSA, 140VSA

